

HS-1RJ-003 Series-RF Rotary Joint

HS-1RJ-003 Description:

HS-1RJ-003 product with 1 Ch1 channels, interface type SMA-f(50Ω), frequency range DC-40Ghz, suitable for rotating application, working speed 0-200rpm

HS-1RJ-003 Customized Options:

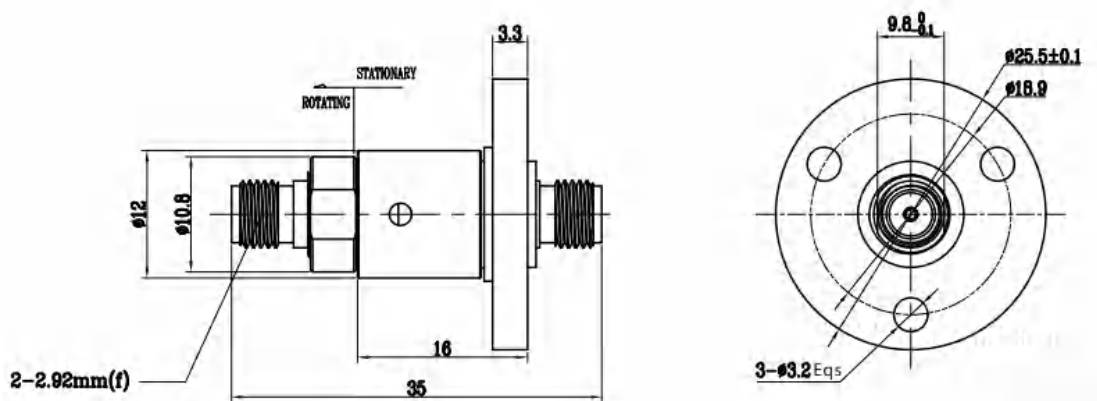
- ◆ Rated current, voltage
- ◆ Rated speed
- ◆ Operating temperature
- ◆ Number of channels
- ◆ Shell material and color
- ◆ Dimensions
- ◆ Special wire
- ◆ Wire outlet direction
- ◆ Wire length
- ◆ Terminal type



Typical Application:

Various military radars,
ship-borne satellite communication devices,
vehicle-borne satellite communication equipment,
satellite vehicles, emergency rescue command vehicles,
high-end robots, rotating turrets on vehicles,
remote control systems, radar antennas, medical systems,
video surveillance systems, submarine operation systems to ensure national

HS-1RJ-003 Standard Drawing :



HS-1RJ-003 Technical Parameters:

Technical parameters	
Channels	Channel 1
Interface type	SMF-f(50Ω)
Frequency range	DC-40GHz
Average power	5w@DC-1GHz/2W @10-18GHz/1W @18-40GHz
Maximum standing wave ratio	1.4@DC-18GHz/1.7 @18-26.5GHz/1W @2.0 @26.5-40GHz
Standing wave ratio fluctuation value	0.15
Insertion loss	0.5dB @DC-18GHz/1.0dB @18-26.5GHz/1.2dB@2.0 @26.5-40GHz
Insertion loss variation	0.1dB
Isolation	50dB