

DHK050 Series---Through Bore Slip Ring

DHK050 Description:

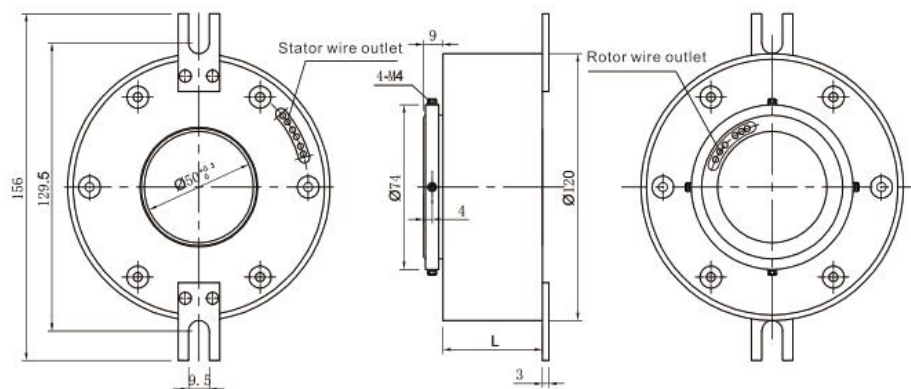
DHK050 product with through bore 50 mm, OD120 mm, suitable for rotating application, support 1-72 ring, signal (2A-20A/ring).

DHK050 Customized Options:

- ◆ Inner diameter, outer diameter, length
- ◆ Working speed
- ◆ Number of paths
- ◆ Current, voltage
- ◆ Shell material and color
- ◆ Protection level
- ◆ Signal and power can be transmitted separately or mixed



DHK050 2D Standard Drawing :



DHK050 Technical Parameters:

Product Grade Table			
Product grade	Working speed	Working life	
General	0 ~ 200 rpm	20 million revolutions	
Industrial	300 ~ 1000rpm	60 million revolutions	
Technical Parameters			
Electrical technical		Mechanical technical	
Parameters	Value	Parameters	Value
Number of rings	Custom	Working temperature	-40°C ~ +65°C
Rated current	2A,5A,10A,15A,20A	Working humidity	< 70%
Rated voltage	0 ~ 240VAC/VDC	Protection level	IP54
Insulation resistance	≥1000MΩ@500VDC	Shell material	Aluminum Alloy
Insulation strength	1500VAC@50Hz,60s,2mA	Electrical contact material	Precious metals
Dynamic resistance change value	< 10mΩ	Lead specification	Colored Teflon
Working speed	0-600rpm	Lead length	500mm+20mm

DHK050 Series Recommend Products by Ingiant

Item No.	Ring Number	2A Length	5A Length	10A Length	15A Length	20A Length	25A Length
DHK050-6	6	42.4	43.6	45.4	48.4	51.4	54.4
DHK050-12	12	54.4	56.8	60.4	66.4	72.4	78.4
DHK050-18	18	66.4	70	75.4	84.4	93.4	102.4
DHK050-24	24	78.4	83.2	90.4	102.4	114.4	126.4
DHK050-30	30	90.4	96.4	105.4	120.4	135.4	-
DHK050-36	36	102.4	109.6	120.4	138.4	156.4	-
DHK050-42	42	114.4	122.8	-	-	-	-
DHK050-48	48	126.4	136	-	-	-	-
DHK050-54	54	138.4	149.2	-	-	-	-
DHK050-60	60	150.4	162.4	-	-	-	-
DHK050-66	66	162.4	175.6	-	-	-	-
DHK050-72	72	174.4	188.8	-	-	-	-

Conductor Specification:2A with AWG26# color Teflon

conductor ,5A with AWG22# color Teflon conductor

10A uses AWG18#color Teflon conductor (or AWG16# flexible color PVC insulated conductor)

15A uses AWG16# color Teflon conductor (or AWG14# flexible color PVC insulated conductor)

20A uses AWG14# color Teflon conductor.Length of product combinations with arbitrary number of channels(n2,n5,n10,n15,n20)(mm):

$$L=15.4+2*n2+2.2*n5+2.5*n10+3*n15+3.5*n20$$